



Main applications

- Thermoforming
- Plastic extrusion lines
- Industrial ovens and furnaces
- Heat treatments
- Control applications with high switching speed
- Mold heating/cooling control units
- Refrigeration
- Air conditioning

Main features

- 3-phase alternating current solid state relay with integrated heatsink
- Zero crossing switching
- 3-phase nominal current 3x25/40/55A
- Nominal voltage up to 600VCArms
Control range:5...32Vdc
- Optoisolation (input/output) 4000Vrms
- Integrated overvoltage suppressor
- Non-repetitive voltage up to 1200Vp
- Component selection to operate at max. declared current with $\leq 40^{\circ}\text{C}$ temperature
- DIN bar mounting with fast clip-on
- In Conformity with EN60947-4-3 and UL508

PROFILE

3-phase "zero crossing" power solid state unit for control of resistive and inductive loads, complete with aluminum heatsink and DIN guide connection. Integrated device designed for industrial applications demanding control of high power levels and frequent switching, with loads up to 3 x 55A (AC51) at 400/480/600Vac.

Control is logic type (Vdc), signaled by LEDs. Each phase is controlled by means of semiconductors .

The constructive elements, special production process, and new, sturdy case, provide excellent reliability and continuity of service. The device is sized for continuous operation at nominal current in a 40°C installation environment.

All versions are protected against overvoltages and against junction overtemperature, with signal LEDs and (optional) solid state alarm output.

The device is supplied complete with covers to protect against direct contacts (covers are removable for wiring). Accessories available: fuses, fuse holders, support for panel mounting, thermostats and fans.

TECHNICAL DATA

General features

Category of use: AC51, AC53a

Nominal voltage (Ue):
400Vac (max. range 24...440Vac) (TRIAC)
480Vac (max. range 24...530Vac) (SCR)
600Vac (max. range 24...660Vac) (SCR)

Nominal frequency: 50/60Hz

Isolation nominal voltage (Ui):
600Vac

Peak voltage:
>800Vdc for models with Ue=400Vac
>1200Vdc for models with Ue=480Vac,
Ue=600Vac

Uninterrupted nominal service.

Critical dV/dt OFF-state:
500V/ μs for models with Ue=400Vac
1000V/ μs for models with Ue=480Vac,
Ue=600Vac

Switching voltage for zero: < 20V

Activation time: $\leq 1/2$ cycle
Deactivation time: $\leq 1/2$ cycle

Potential drop at rated current: $\leq 1,4\text{Vrms}$

IP20 protection

Weight : GTZ 25:1100g
GTZ 40, 55:1350g

Control inputs

Voltage of command circuit (Uc):
5...32Vdc

Activation voltage: >4.5Vdc

Deactivation voltage: <3Vdc

Max. input:
18mA @5Vdc - 22mA @32Vdc

Max. reverse voltage: 36Vdc

Outputs

GTZ 25/...

Nominal current (Imax):
AC51: 3x25 A
AC53a: 3x5 A

GTZ 40/...

Nominal current (Imax):
AC51: 3x40 A
AC53a: 3x8 A

GTZ 55/...

Nominal current (Imax):
AC51: 3x55 A
AC53a: 3x15 A

Insulation

Nominal insulation voltage
input/output:
2.5KV ac for models with Ue=400Vac
4KV ac for models with Ue=480Vac,
Ue=600Vac
Nominal impulse withstand voltage
(Uimp): 2500Vac

Ambient conditions

- Working temperature:
-20°C...80°C
- Max. relative humidity: 50% to 40°C
- Max. installation altitude: 1000 slm
- Pollution level : 3
- Storage temperature: -20...85°C
- Class: A (industrial device)
- Suitable for use in pollution degree 2 environmental

Thermal protection

Junction temperature is constantly monitored inside the device. If the maximum temperature limit is exceeded (T=110°C), current to the load is interrupted and the yellow signal LED lights up.

Options

An optional thermal protection alarm output is available. In this case, the alarm is signaled with an output generated by a solid state relay (max. 32 VAD/DC, 150mA, resistance ≤ 15Ω in alarm state).

Power supply

Fan supply
(only for models GTZ 40/55A):
230Vac 14W (VEN90)
115Vac 14W (VEN91)

Installation notes

Use the high speed fuses specified in the catalog according to the connection example provided.

Applications with solid state power units must also include an automatic safety switch to cut out the load power line.

For maximum reliability, the device MUST be installed correctly in the panel in order to have adequate heat exchange between the heatsink and the surrounding air under conditions of natural convection.

Mount it vertically (max. 10 inclination from the vertical axis)

- Vertical distance between a heatsink and the panel wall >100mm
- Horizontal distance between a heatsink and the panel wall: 20mm at least
- Vertical distance between two heatsink: 300mm at least.

- Horizontal distance between two heat-sink: 20mm. at least

Check that cable raceways do not reduce these distances; should it happen, mount the GTZ overhanging from the panel, so that the air can flow vertically on the heatsink without obstacles.

- Maximum surrounding air temperature 40°C (for UL).
- Open type equipment

Limits of use

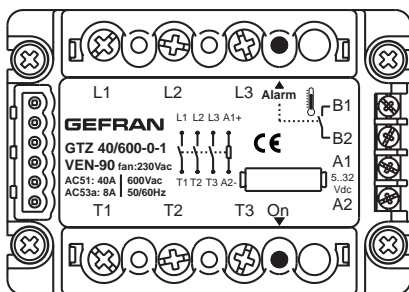
- dissipation of thermal power of device with restrictions on temperature of installation site.
- requires exchange with outside air or an air conditioner to transfer dissipated power outside the panel.
- installation requirements (distances between devices to guarantee dissipation under conditions of natural convection)
- max. voltage limits and derivative of transients in line, for which the solid state unit has internal protection devices.
- presence of dispersion current < 10mA (max. value with rated voltage and junction temperature of 125°C).

TECHNICAL DATA OF THE MAIN CIRCUIT

Model	I _{max} , I _e (*) [Arms]	Non-repetitive overcurrent t=20ms [A]	I _t [A ² s]
GTZ 25/400	3x25	250	450
GTZ 25/480	3x25	400	645
GTZ 40/480	3x40	600	1010
GTZ 55/480	3x55	1150	6600
GTZ 40/600	3x40	600	1010
GTZ 55/600	3x55	1150	6600

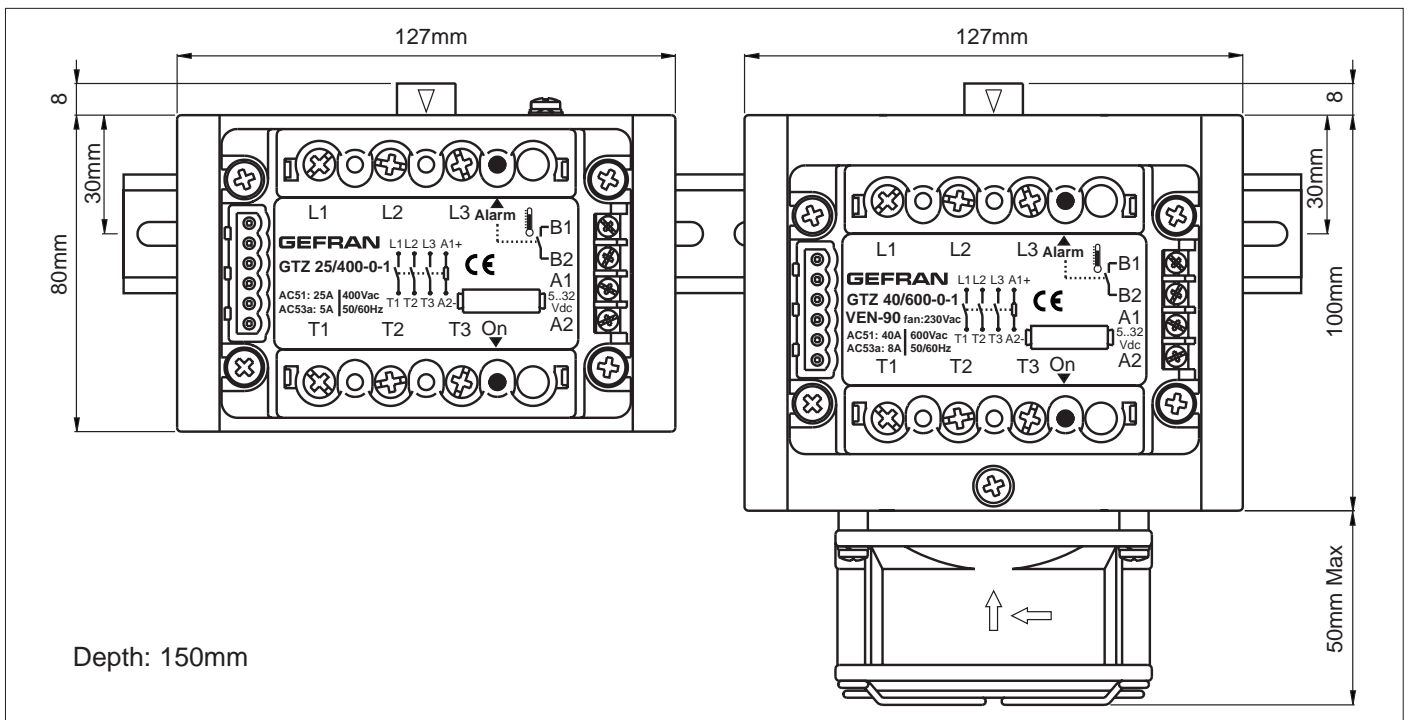
(*) I_e = Nominal current (Standard CEI EN 60947-4-3)

FACEPLATE DESCRIPTION



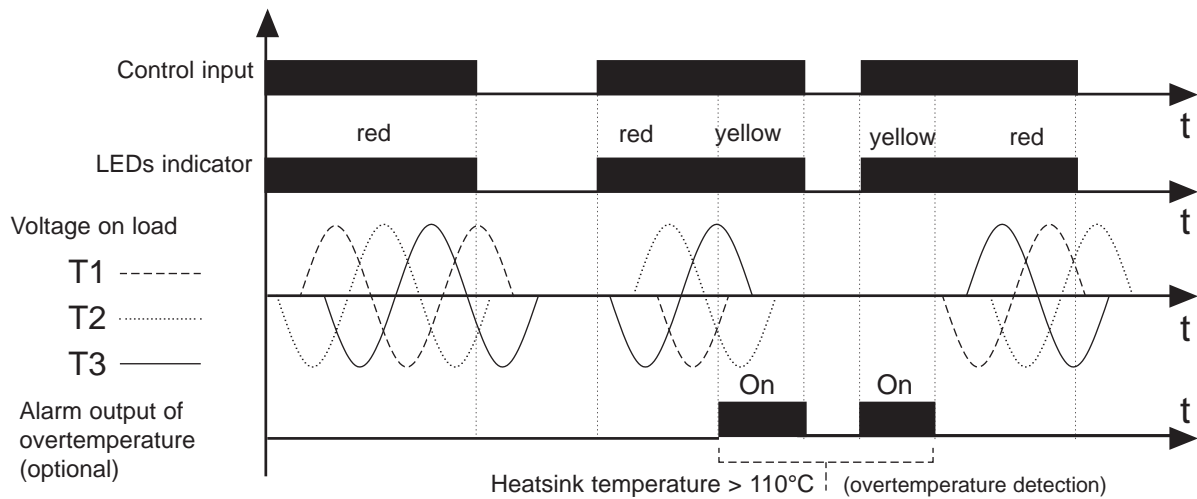
- L1 : Phase 1 input
- L2 : Phase 2 input
- L3 : Phase 3 input
- T1 : Phase 1 output
- T2 : Phase 2 output
- T3 : Phase 3 output
- A1 : Control signal (+)
- A2 : Control signal (-)
- B1 : Alarm output (+) option
- B2 : Alarm output (-) option
- Led1: Red led signal indicator
- Led2: Yellow led (alarm overtemperature junction)

DIMENSIONS



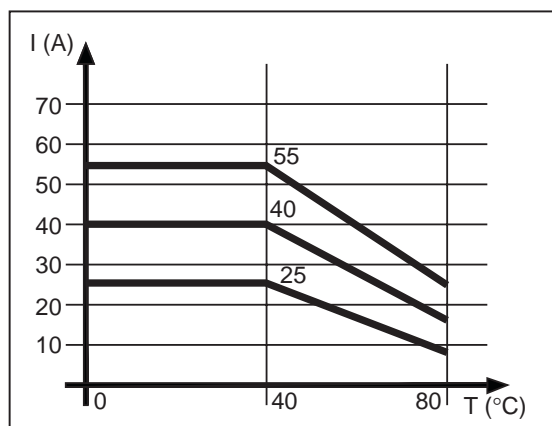
TYPE OF OPERATION

Voltage logic output control and protection activation of overtemperature:



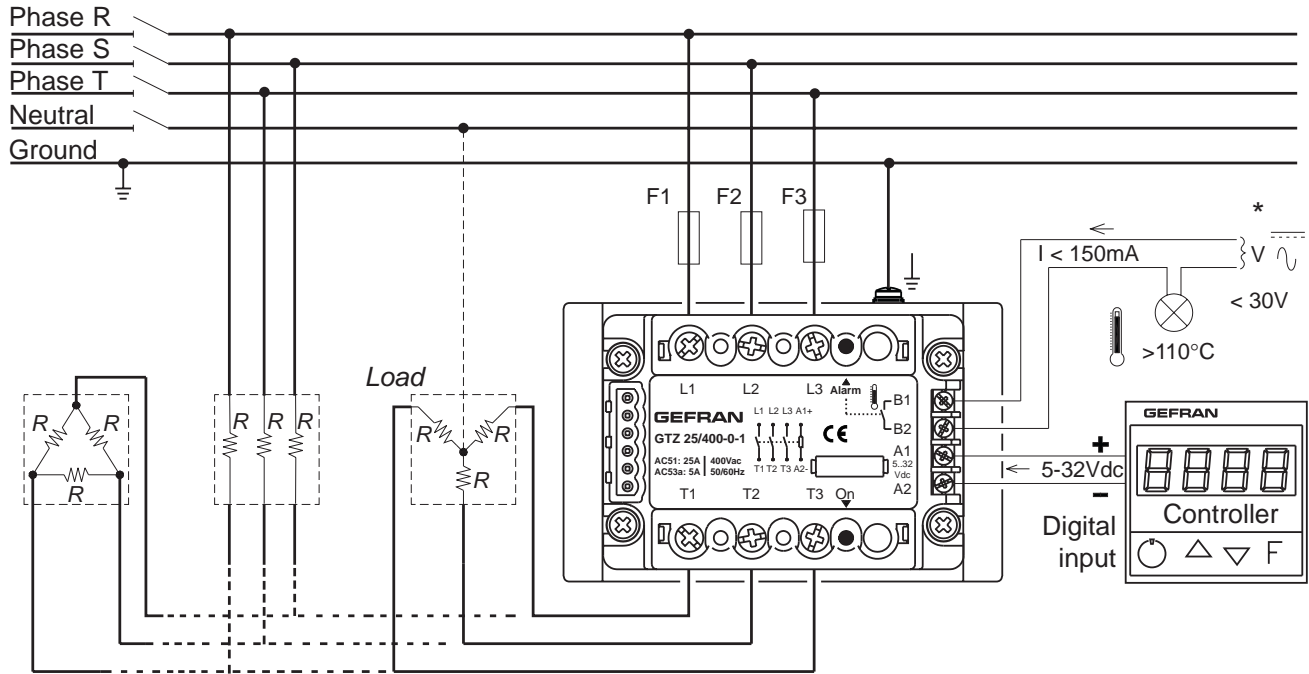
DISSIPATION DIAGRAMS

Rated current curves based on room temperature.



CONNECTION EXAMPLES

Three-phase Triangle or Star connection (with and without neutral)



* Only in the version with option overtemperature alarm output

TABLE OF TERMINALS AND CONDUCTORS

Model	Control terminal (A1, B2, B1, B2)			Power terminal (L1, L2, L3, T1, T2, T3)			Ground terminal (see note)	
	Contact area (LxP) screw type	Type of preisolated terminal	Section. * conductor / tightening torque	Contact area (LxP) screw type	Type of preisolated terminal	Section. * conductor / tightening torque	Contact area (LxP) screw type	Section. * conductor / tightening torque
25A	6,3x9 M3	eye / fork / tip	min. 0.35 mm ² max. 2,5 mm ² 0,6 Nm Max	12x12 M5	eye / fork / tip	min. 1 mm ² max. 10 mm ² (tip)	12x12 self-tap- ping screw 3.9x12 DIN7981	min. 1 mm ² max. 16 mm ²
40A						min. 1 mm ² max. 16 mm ² (eye/fork)		min. 1 mm ² max. 16 mm ²
55A						12x12 M5	1,5 - 2,2 Nm	2,5 - 2,5 Nm

(*) The max. sections specified refer to unipolar copper wires isolated in PVC.

Note: For the ground terminal, you have to use an eye wire terminal.

(LxP) = width x depth [mm]

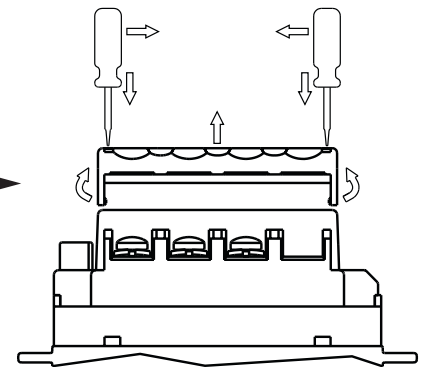
The minimum acceptable nominal section based on the nominal currents of the power solid state units is given below for copper conductors isolated in PVC, under continuous operating conditions and at 40°C ambient temperature according to standards CEI 44-5, CEI 17-11, IEC 408 in accordance with EN60204-1.

Nominal current	Nominal section cable on mm ²
10A	2,5
25A	6
40A	10
55A	16

Terminal covers

If an eye terminal lug is used, the terminal covers can be removed more easily by inserting a Phillips screwdriver (max. width 3.5 mm) into the side slots. With the point of the screwdriver, widen the side of the cover and raise it.

Insert the screwdriver to facilitate opening of the cover



ACCESSORIES

A wide range of accessories is available heatsink, fuses and fuse holders , current transformer, supports to guide DIN, thermostats. To choose accessories, see the section "Solid state relays - Accessories".

ORDER CODE

	GTZ	/		-		-		-	
MODEL	GTZ								
NOMINAL CURRENT									
25Aac	25								
40Aac	40								
55Aac	55								
NOMINAL VOLTAGE									
400Vac (only for models 25A)	400								
480Vac	480								
600Vac (only for models ≥ 40A)	600								
FAN (for mod. 40A and 55A)									
VEN-90	Fan 80x80x40 230V 14W								
VEN-91	Fan 80x80x40 115V 14W								
OPTIONS									
0	None								
1	Alarm output thermal protection								
INPUT									
0	5...32Vdc								

Please contact GEFTRAN personnel for information on availability of codes.

GEFRAN spa reserves the right to make any kind of design or functional modification at any moment without prior notice

•WARNINGS



WARNING: this symbol indicates danger.

Read the following warnings before installing, connecting or using the device:

If the power solid state unit is used in applications with risk of injury to people, machines, or materials, auxiliary alarm devices must be employed. It is also advisable to be able to check for tripping of alarms during normal operation;

- follow instructions precisely when connecting the heatsink;
- always use cables that are suitable for the voltage and current levels indicated in the technical specifications;
- DO NOT operate the device in rooms with dangerous (inflammable or explosive) atmosphere;
- During continuous operation, the heat sink can reach up to 100°C, and stays at a high temperature even after the device is turned off due to thermal inertia; therefore, DO NOT touch it and avoid contact with electrical wires;
- do not work on the power part without first disconnecting electrical power to the panel;
- do not remove the cover when the device is powered!

Installation:

- ground the heatsink connected to the power module;
- power supply lines must be separated from device input and output lines; always check that the supply voltage matches the voltage indicated on the device label;
- avoid dust, humidity, corrosive gases and heat sources;
- respect the installation distances between one device and another (to allow for dissipation of generated heat).
- to keep air in movement, we advise you to install a fan near the GTZ group in the electrical panel containing the GTZs.;

Maintenance:

- at regular intervals, check operation of the cooling fans and clean all air ventilation filters;
- repairs must be done out only by trained and specialized personnel. Cut power to the device before accessing internal parts.
- do not clean the box with solvents derived from hydrocarbons (trichloroethylene, gasoline, etc.). Using such solvents will compromise the device's mechanical reliability. Use a clean cloth moistened with ethyl alcohol or water to clean external parts in plastic.

Service:

GEFRAN has a service department.

The warranty excludes defects caused by any use not conforming to these instructions.

	This device conforms to European Union Directive 89/336/CEE and 73/23/CEE as amended with reference to product: CEI-EN 60947-4-3 (Low voltage switchgear and controlgear - Contactors and Motor-starters)
	In Conformity with UL508