

Main applications

- Machine control:
 - Plastics
 - Packing
 - Wood
 - Metalworking

Main features

- 10.4" display
- Resolution 800x600 (SVGA)
- Integrated Keyboard
- Field bus connectivity (CANOpen, Modbus RTU, Modbus TCP)
- Ethernet 10/100 BaseT
- Fan less
- Solid State Disk (DOM)
- Programmable with:
 - Gefran Automation Builder
 - VedoWin
 - Scada

PROFILE

The GF_VEDO line of operator terminals offers a compact and economic system for machine control.

Machine cycle control [IEC1131 based Soft PLC] and graphic page display [SCADA] are integrated in a single product.

This integration provides a variety of quick and economical automation solutions.

The GF_VEDO TL 104CK is offered with a 10.4" TFT active matrix display, with resolution of 800x600 pixel (SVGA).

The processor belongs to the GEODE family (32 bit), with a minimum of 128 MB to a maximum of 512 MB of RAM, depending on the operating system installed.

An extremely important feature is the complete absence of moving parts: a DOM [DiskOn-Module] mass memory of various capacity [64MB...1GB] is used, offering maximum safety even in the presence of strong vibration.

A wide range of peripheral I/O is available:

- 1x RS485 optoisolated
- 2xEthernet 10/100 Base-T
- 2xUSB 1.1
- Fieldbuses keyboard

- Auto-ON
- 1xRS232
- PS 2 Mouse and Keyboard
- CAN layer

The product can be ordered with different operating systems already installed, such as:

- VxWorks
- Windows XP Embedded

This solution allows the creation of various automation architectures (including real time) and the use of software from other suppliers.

The GF_VEDO family includes products with display from 3.5" to 10.4", with or without integrated machine keyboards.

In addition "ready-to-use" application are available, such as:

- GF_PACK_EXTRUSION for extrusion application
- GF_PACK_INJECTION for injection application

TECHNICAL DATA

DISPLAY

Type:	TFT Color
No. colors:	262.144
Size:	10,4"
Resolution:	800x600 (SVGA)
Luminosity:	230 cd/m ²
Contrast:	500:1

INTEGRATED KEYBOARD

Function keys:	22
Navigable keys:	32

PROCESSOR

Type:	GEODE SC1200
Frequency:	266 MHZ
Core:	x86

MEMORY

System memory (DRAM)	128-512 MB
Mass memory (DOM)	64 MB-1 GB
User memory (SRAM)	2 MB

OS SUPPORTED

VxWorks
Windows XP Embedded

GENERAL DATA

Front dimensions: 266x289mm
 Drilling dimensions: 258x281mm
 Weight: 1,9 Kg
 Front panel protection: IP65
 Working temperature: 0...50°C
 Storage temperature: -20°C...+70°C
 Humidity: < 90% non condensing
 Power supply: 24Vdc ±25%,50W
 Certifications: CE, UL

Name: RS485
 Connector: RJ10 4p4c
 Optically isolated: YES
 Baud rate: 9,6...115 kBaud
 Name: USB
 Type: 2xUSB 1.1 HOST
 Connector: Type A (500mA)
 Name: KEY & LED
 Function: Fieldbuses keyboard
 Connector: RJ45 (without LEDs)
 Optically isolated: NO

Name: PC-KEY
 Connector: standard PS2 miniDIN 6 pin (green)
 Name: CAN
 Function: CAN layer 2
 Connector: 6 pin female, spring type
 Name: RS232
 Connector: D-Sub 9-pin male
 Optically isolated: NO
 Baud rate: 9,6...115 kBaud
 Name: AUX
 Function: future expansions

PERIPHERAL I/O

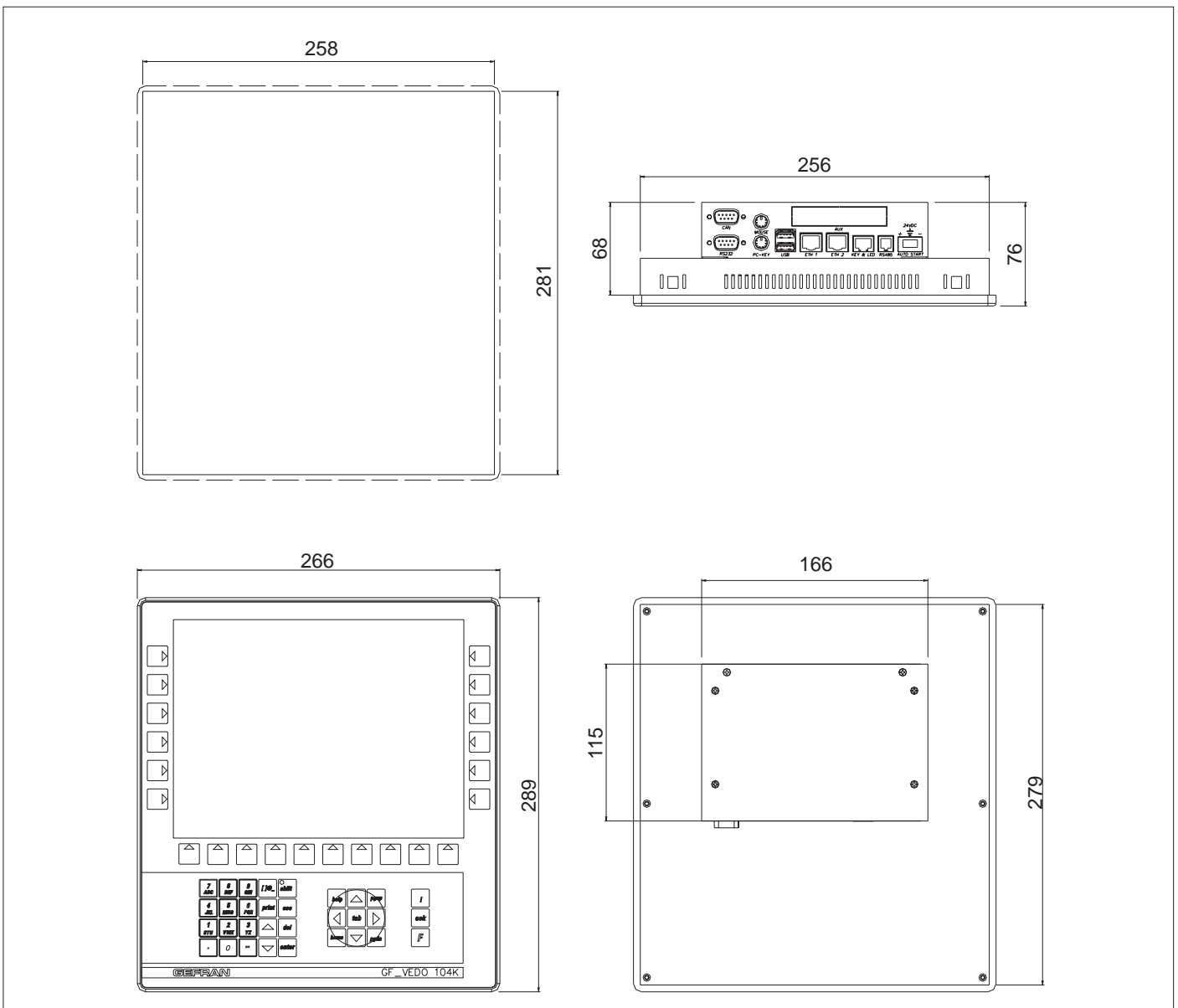
Name: ETH1
 Type: Ethernet 10/100 Base-T
 Connector: RJ45 with LEDs

Name: AUTOSTART
 Function: Auto-ON
 Connector: 3-pin female, screw-type
 24Vdc ±25%, 100mA

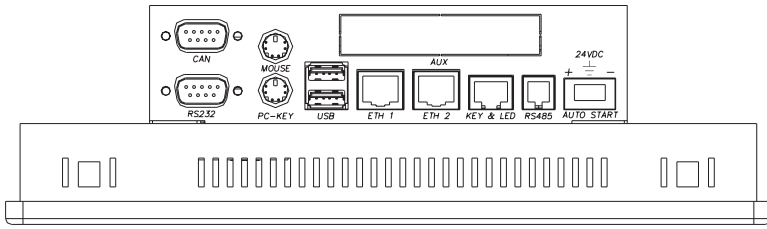
Name: ETH2
 Type: Ethernet 10/100 Base-T
 Connector: RJ45 with LEDs

Name: MOUSE
 Connector: standard PS2 miniDIN 6 pin (Mouse violet)

DIMENSIONS AND CUT OUT

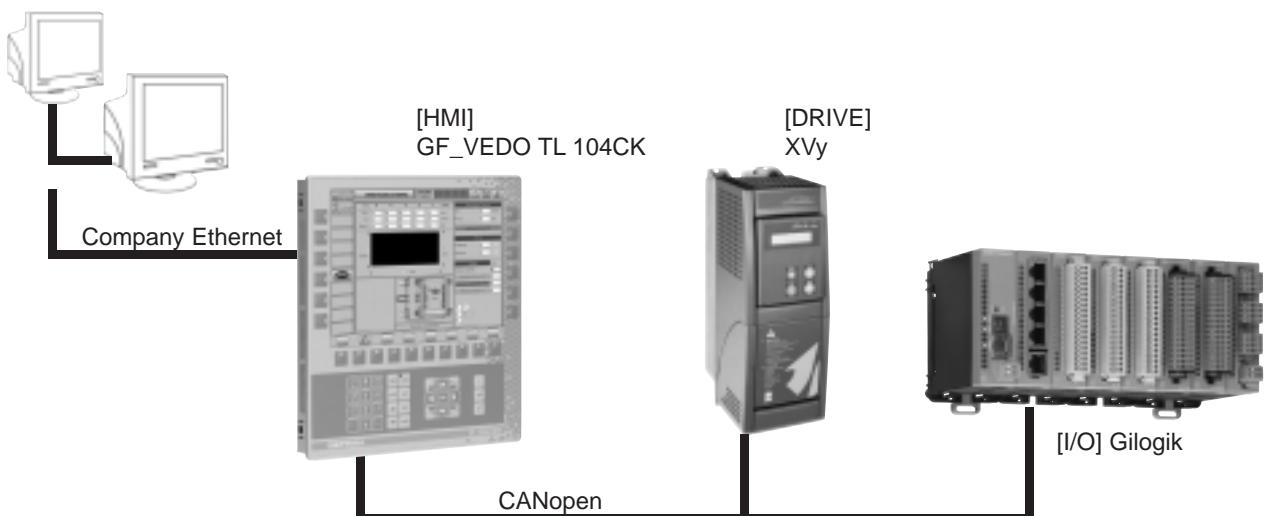
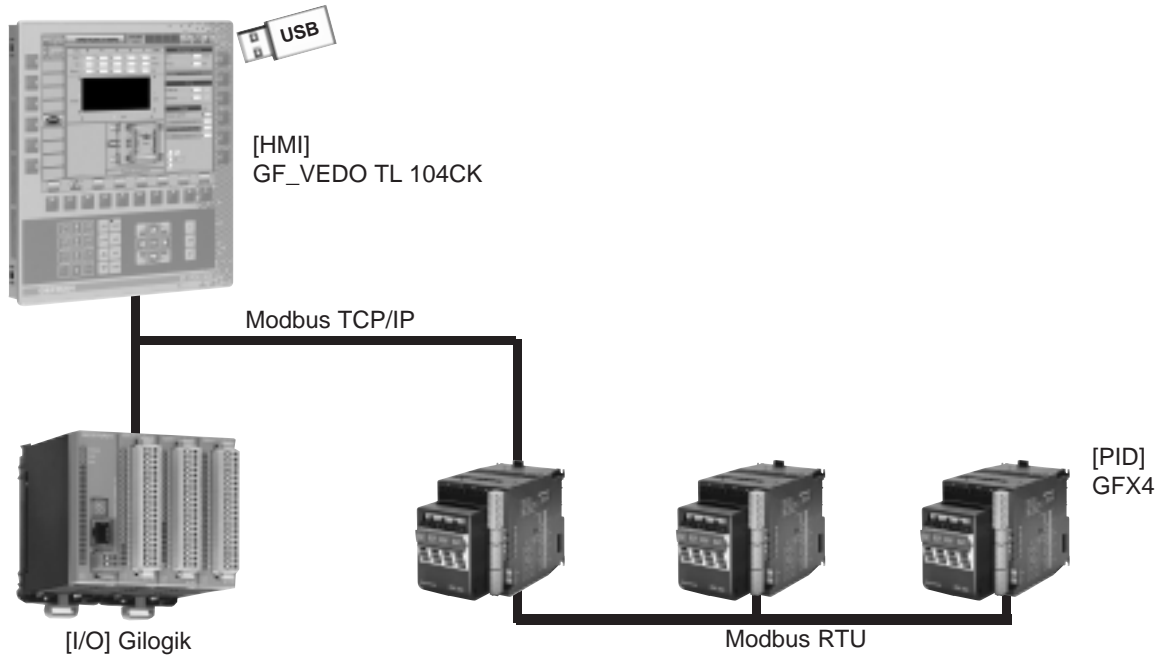


CONNECTIONS



Name	Description
CAN	CAN layer 2
RS232	RS-232 serial not isolated
MOUSE	Mouse PS2 (Violet)
PC-KEY	Keyboard PS2 (Green)
USB	USB 1.1 Host (500mA)
ETH1	Ethernet 10/100 Base-T
ETH2	Ethernet 10/100 Base-T
KEY & LED	Fieldbuses keyboard
RS485	RS-485 serial optoisolated
AUTO START	Auto-ON
24VDC	Power supply
AUX	Auxiliary

CONNECTION EXAMPLES



ORDER CODE

GF_VEDO 104CK 00 00 00 00

MODEL	
GF_VEDO TL 104CK	104CK

OPERATING SYSTEMS	
VxWorks DOM: 64MB RAM: 128MB	VW0
WinXP Embedded DOM: 1GB RAM: 256MB	XE0

EXPANSION 1	
None	00
CANopen	C1
DeviceNet	D1 ⁽¹⁾

EXPANSION 2	
None	00
RS232 + Autostart	S1

LEXAN	
Gefran	G
Neutral	N ⁽²⁾

⁽¹⁾ ⁽²⁾ Please, contact GEFRAN sales people for the codes availability.

GEFRAN spa reserves the right to make any kind of design or functional modification at any moment without prior notice

ACCESSORIES

Battery	Battery CR2430 Lithium 3V	S7085
Keyboards	Fieldbuses keyboard to manage movements Keyboard to integrate electromechanical buttons	TF32-104 TE8-104
Supply	Stabilized supply 100....240Vac/24Vdc, 5A	GF_PS5
Software	Preloaded software package for complete management of injection presses Integrated programming environment Software platform for SCADA applications	GF_PACK INJECTION Gefran Automation Builder VedoWin



Conformity UL508 Certif. 20080331 File no. E198546



In conformity to 2004/108/CE (EMC) and 2006/95/CE (LVD) with reference to standards: **CEI-EN 61131-2** (product) - **EN 61010-1** (safety).

GEFRAN

GEFRAN spa
via Sebina, 74
25050 Provaglio d'Iseo (BS)
Tel. +39 030 9888.1 - fax +39 030 9839063
Internet: <http://www.gefran.com>

DTS_GFVEDOTL104CK_0109_ENG