



Main applications

- *Machine control:*
 - Heat treatments
 - Packing
 - Wood
 - Metalworking
 - Climatic chambers
 - Dryers
 - Plastic auxiliaries

Main features

- 5.7" TFT colors display
- Resolution 320x240 pixels (QVGA)
- Touch screen: resistive, analog
- Field bus connectivity (CANOpen, Modbus RTU, Modbus TCP)
- Ethernet 10/100 BaseT
- Integrated SoftPLC [IEC61131-3]
- No hard disk
- Programmable with: Gefran Automation Builder



PROFILE

"All-in-One"

HMI, SoftPLC and remote I/Os, completely integrated in a single product. The GF_VEDO EL 57CT operator terminal offers maximum compactness and integration of all elements in an automation architecture.

The display section has a 5.7" color (262K) TFT display with 320x240 pixel (QVGA) resolution, 400:1 contrast and luminosity of 500cd/m².

Visual angle O/V: 75°/60°-75°.

Integrated touch-screen, resistive, four wires.

The bottom section houses the communication ports (including the Ethernet 10/100 supplied as standard) used for programming and diagnostics or for transmission via Modbus TCP protocol.

Other ports, such as USB, RS485 [Modbus RTU] and CAN [CANopen or DeviceNet] are optional.

The product integrates with GILOGIK II I/O modules via the BUS-G connector at the rear of the product.

The back-plane [L-BUS4] inserted into the BUS-G connector lets you install up to four of any module in the GILOGIK II series to quickly and flexibly create a variety of automation solutions.

The SoftPLC is programmed and

graphics pages are created with a single programming environment called Gefran Automation Builder [GAB].

This software can be used to program all products in the GF_VEDO family.

The product offers the highest resistance to vibration and shock, and has a front panel protection level of IP65.

These characteristics make it ideal for use under harsh environmental conditions.

TECHNICAL DATA

DISPLAY

Type: TFT colors
 No.colors: 262k
 Size: 5.7"
 Resolution: 320x240 pixel (QVGA)
 Luminosity: 500 cd/m²
 Contrast: 400:1
 Backlighting: 18 LEDs white
 Visual angle O/V: 75°/60°-75°

TOUCH SCREEN

Type: Resistive, 4 wires
 Life: 1.000.000 operations
 Controller: integrated

PROCESSOR

Type: EP9307 Cirrus Logic
 Frequency: 200 MHz
 Core: ARM9

MEMORY

System: 64 MB (DRAM)
 User: 256 KB (SRAM)
 Mass: 64 MB (FLASH)

OS SUPPORTED

Linux

GENERAL DATA

Front dimensions: 169x120x76mm
(with GILOGIK II modules: 169x120x187)
Drilling dimensions: 162x115mm
Weight: 0,8Kg
(with 4 GILOGIK II modules: 1,4Kg)
Front panel protection: IP65
Working temperature: 0...50°C
Storage temperature: -20°C...70°C
Humidity: 5...95% non-condensing
(IEC 68-2-3)
Power supply: 24Vdc ±25%, 9W
Certifications: CE, UL

Name: RS485
Type: RS485 serial
Connector: RJ10 4p4c
Optically isolated: YES
Baud rate: 9,6...115 kBaud

Name: USB
Type: USB 2.0 HOST (500mA)
Connector: 4-pin type A

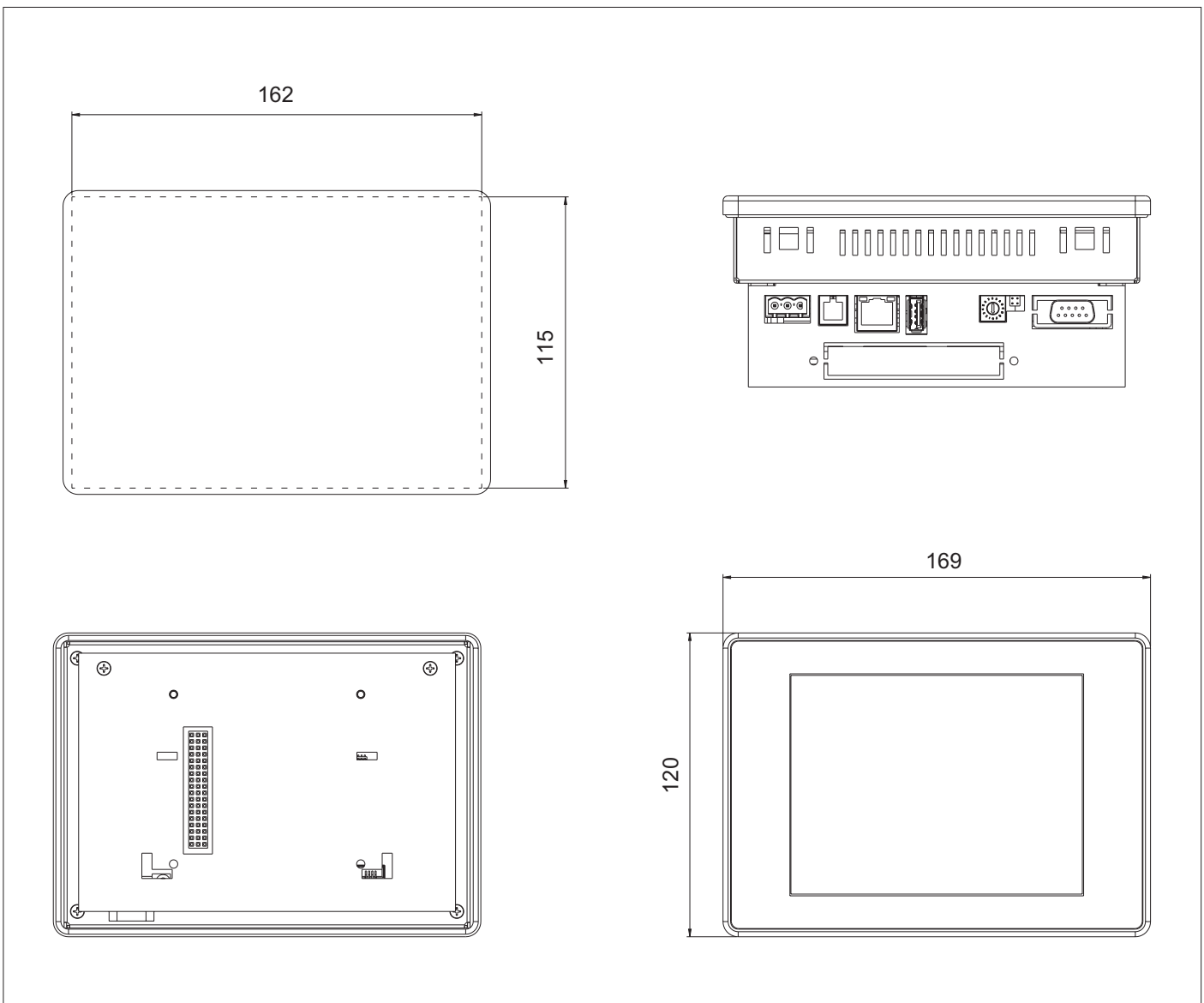
Name: CAN
Function: CAN layer 2
Connector: D-Sub 9PM (CANopen)
Baud rate: 20k...1Mbit/s (CANopen)

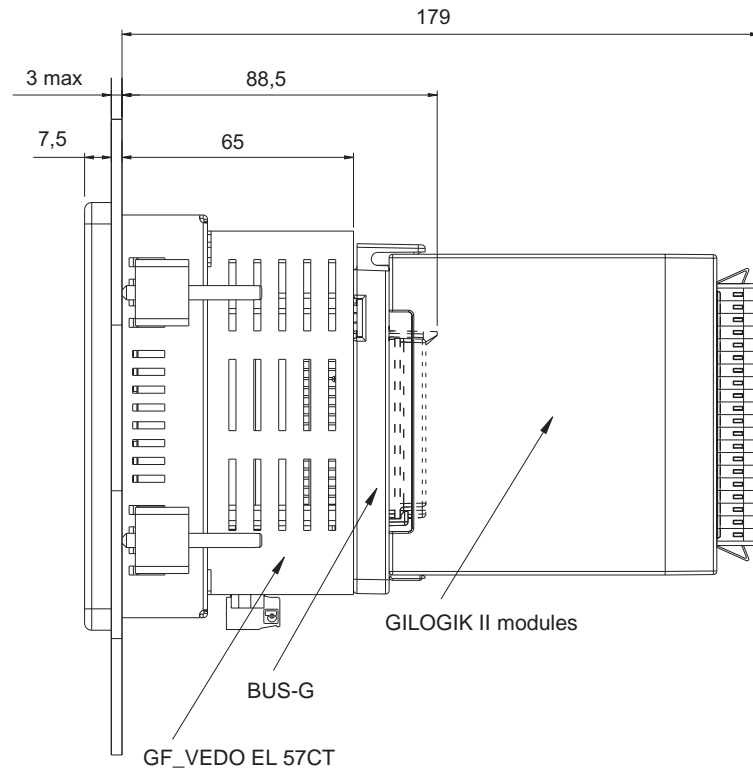
PERIPHERAL I/O

Name: ETH
Type: Ethernet 10/100 Mbps Base-T
Connector: RJ45 with LEDs

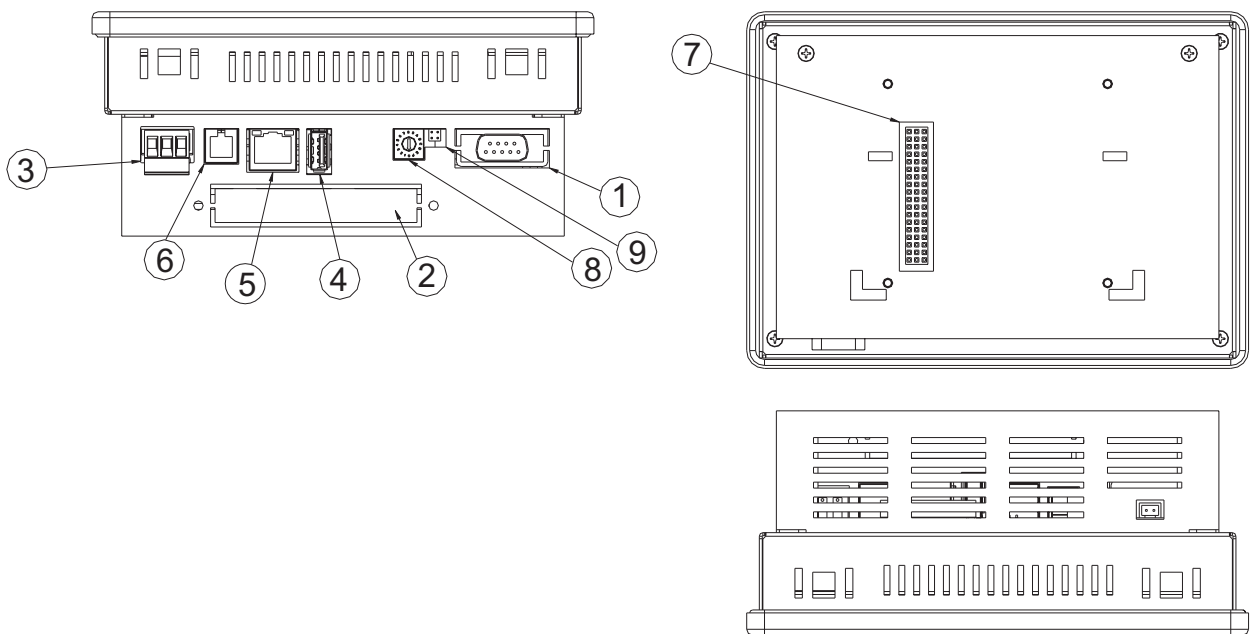
Name: BUS-G
Function: I/O expansion
Connector: 50 pins, comb type

DIMENSIONS AND CUT OUT



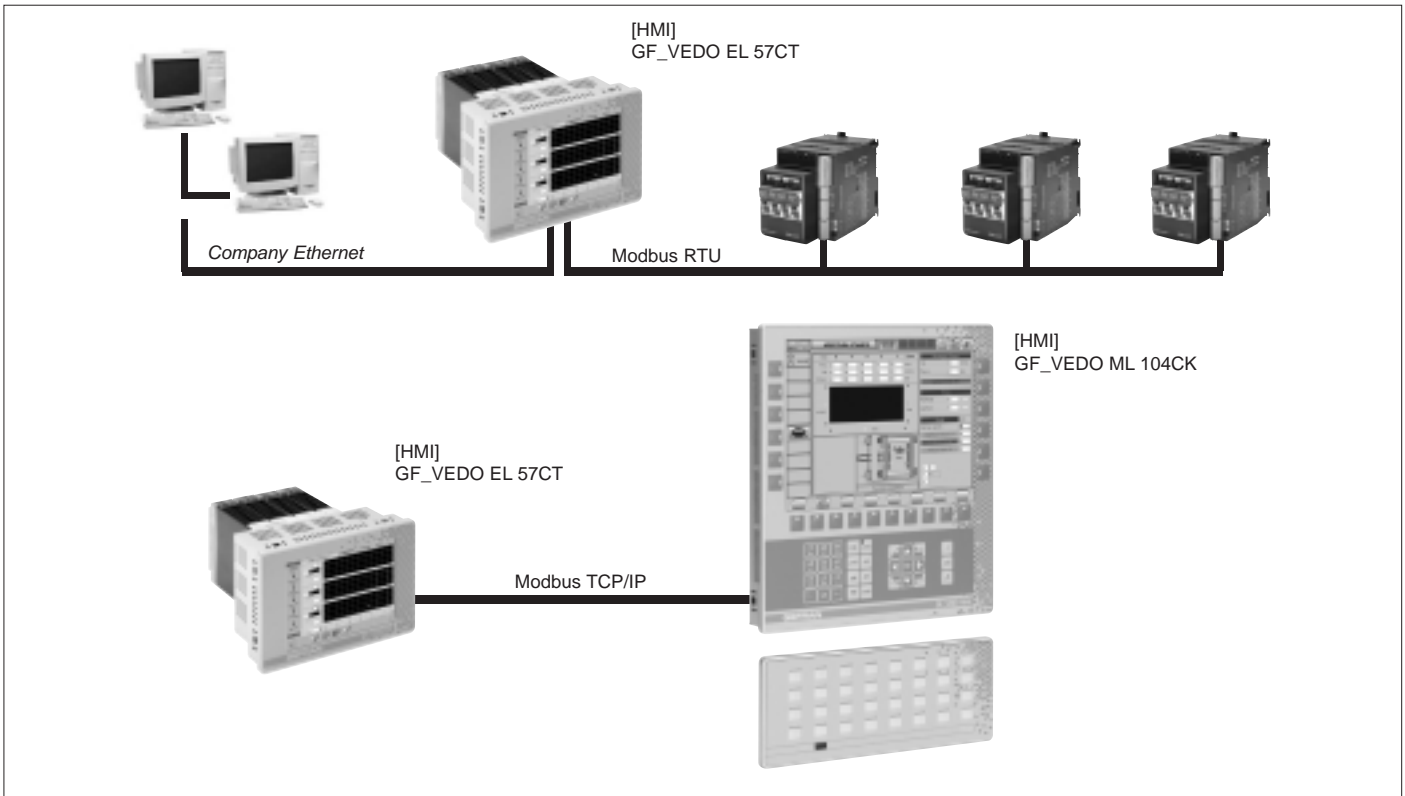


CONNECTIONS

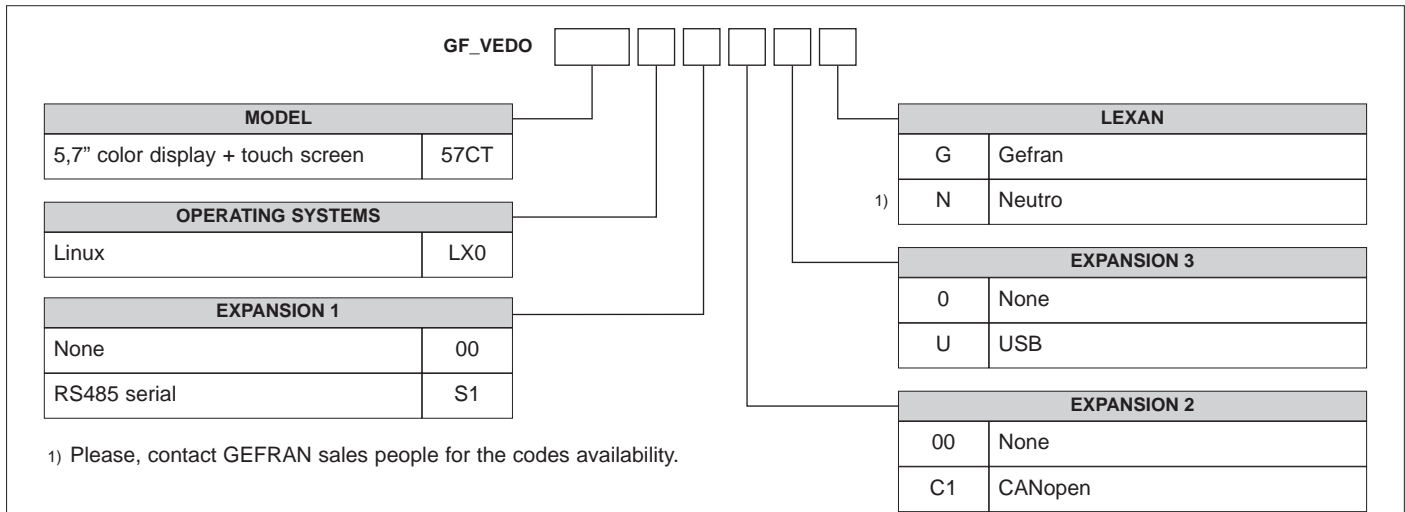


Name	Denomination	Description
1	CAN	CANopen
2	-	Reserved for future use
3	24VDC	24Vdc $\pm 25\%$
4	USB	USB 2.0 HOST
5	ETH	Ethernet 10/100 base-T
6	RS485	Optoisolated RS485 serial
7	BUS-G	GILOGIK II I/O connection bus
8	-	Rotary-switch
9	-	Enabling battery

CONNECTION EXAMPLES



ORDER CODE



GEFRAN spa reserves the right to make any kind of design or functional modification at any moment without prior notice

ACCESSORIES

F041993 L-BUS4 4-solt back-plane module supports a maximum of 4 GILOGIK II I/O modules



Conformity C/UL/US File no. E198546

In conformity to ECC 2004/108/CE (EMC) and 2006/95/CE (LVD) with reference to: **EN 61131-2** (product) **EN 61010-1** (safety).

GEFRAN

GEFRAN spa
via Sebina, 74
25050 Provaglio d'Iseo (BS)
Tel. +39 030 9888.1 - fax +39 030 9839063
Internet: <http://www.gefran.com>

DTS_GF-VEDOEL57CT_03-2010_ENG