

**Main applications**

- *Machine control:*
 - Heat treatments
 - Packing
 - Wood
 - Metalworking
 - Climatic chambers
 - Dryers
 - Plastic auxiliaries

Main features

- 3,5" TFT colors display
- Resolution 320x240 pixels (QVGA)
- Touch screen: resistive, analog
- Field bus connectivity (CANOpen, Modbus RTU, Modbus TCP)
- Ethernet 10/100 BaseT
- Integrated SoftPLC [IEC61131-3]
- No hard disk
- Programmable with:
Gefran Automation Builder

PROFILE

"All-in-One"

HMI, SoftPLC and remote I/Os, completely integrated in a single product.

The GF_VEDO EL 35CT operator terminal offers maximum compactness and integration of all elements in an automation architecture.

The display section has a 3.5" color (262K) TFT display with 320x240 pixel (QVGA) resolution, 400:1 contrast and luminosity of 400cd/m².

Visual angle O/V: 75°/55°-75°.

Integrated touch-screen, resistive, four wires.

The front panel has six freely programmable function keys [F1...F6].

The bottom section houses the communication ports (including the Ethernet 10/100 supplied as standard) used for programming and diagnostics or for transmission via Modbus TCP protocol.

Other ports, such as USB, RS485 [Modbus RTU] and CAN [CANopen or DeviceNet] are optional.

The product integrates with GILOGIK II I/O modules via the BUS-G connector at the rear of the product.

The back-plane [L-BUS4] inserted into the BUS-G connector lets you install up to four of any module in the GILOGIK II series to quickly and flexibly create a

variety of automation solutions.

The SoftPLC is programmed and graphics pages are created with a single programming environment called Gefran Automation Builder [GAB].

This software can be used to program all products in the GF_VEDO family.

The product offers the highest resistance to vibration and shock, and has a front panel protection level of IP65.

These characteristics make it ideal for use under harsh environmental conditions.

TECHNICAL DATA**DISPLAY**

Type: TFT colors

No.colors: 262k

Size: 3,5"

Resolution: 320x240 pixel (QVGA)

Luminosity: 400 cd/m²

Contrast: 400:1

Backlighting: 6 LEDs white

Visual angle O/V: 75°/55°-75°

TOUCH SCREEN

Type: Resistive, 4 wires

Life: 1.000.000 operations

Controller: integrated

PROCESSOR

Type: EP9307 Cirrus Logic

Frequency: 200 MHz

Core: ARM9

MEMORY

System: 64 MB (DRAM)

User: 256 KB (SRAM)

Mass: 64 MB (FLASH)

OS SUPPORTED

Linux

GENERAL DATA

Front dimensions: 100x100x64mm

Drilling dimensions: 93x93mm

Weight: 0,4 Kg

Front panel protection: IP65

Working temperature: 0...50°C

Storage temperature: -20°C...70°C

Humidity: 5...95% non-condensing
(IEC 68-2-3)

Power supply: 24Vdc, ±25%

Max consumption:

- (without integrated I/O) 240mA, 5W
- (with integrated I/O) 360mA, 7W

Certifications: CE, UL

Name: RS485

Type: RS485 serial

Connector: RJ10 4p4c

Optically isolated: YES

Baud rate: 9,6...115 kBaud

Name: USB

Type: USB 2.0 HOST (500mA)

Connector: 4-pin type A

Name: CAN

Function: CAN layer 2

Connector: D-Sub 9PM (CANopen)

Baud rate: 20k...1Mbit/s (CANopen)

Name: BUS-G

Function: I/O expansion

Connector: 50 pins, comb type

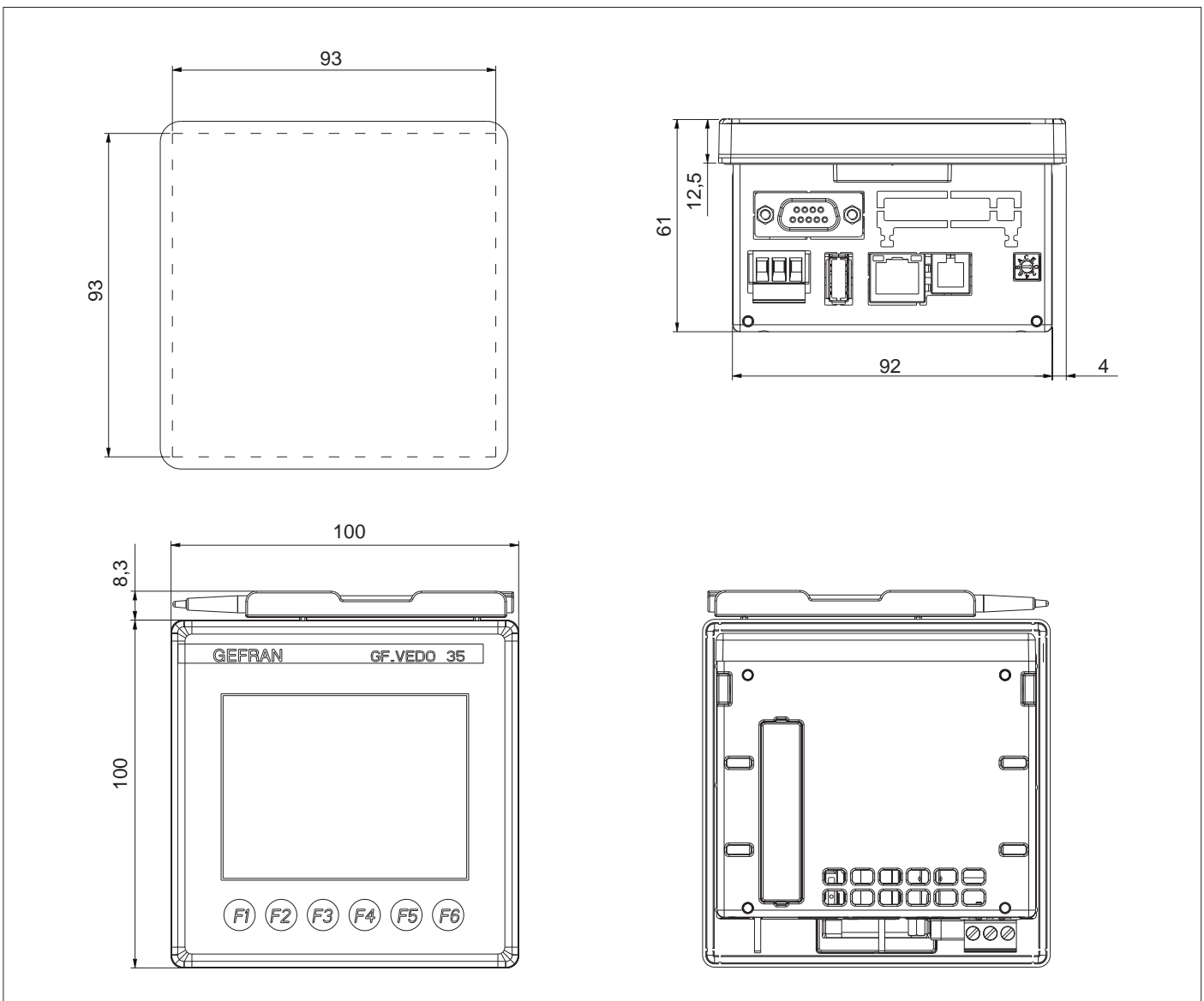
PERIPHERAL I/O

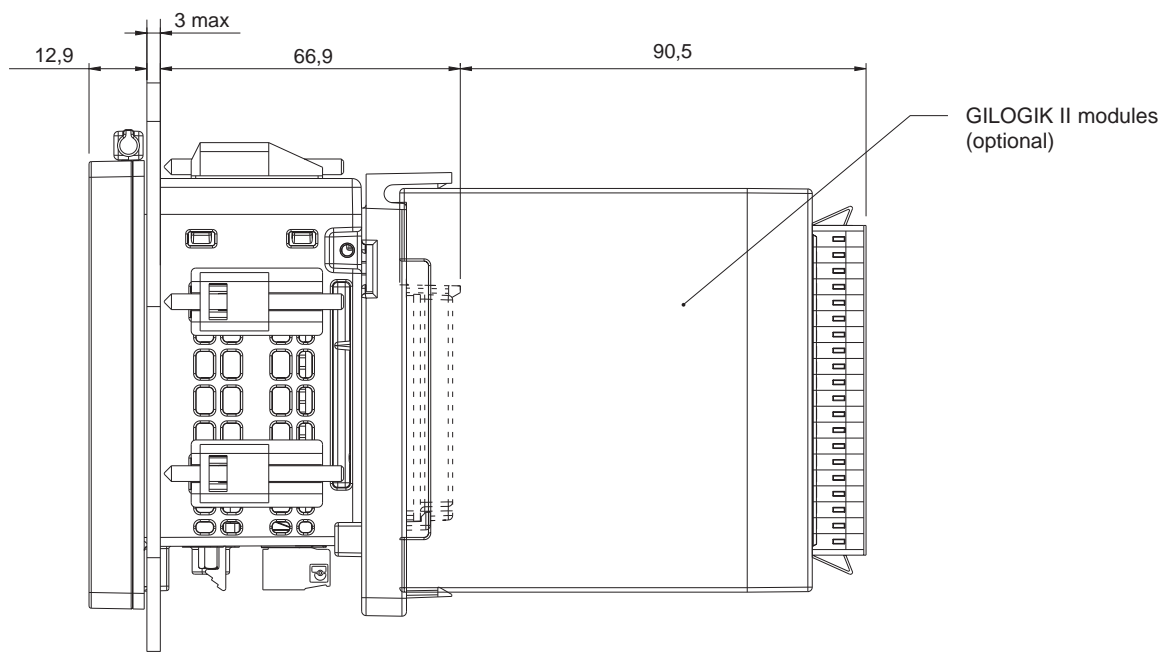
Name: ETH

Type: Ethernet 10/100 Mbps
Base-T

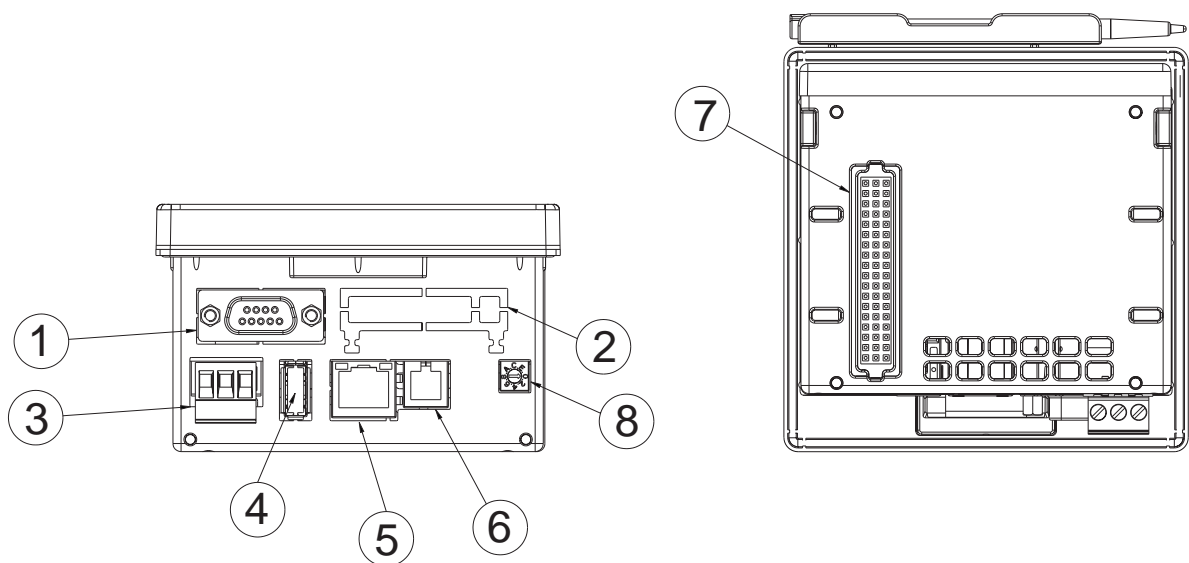
Connector: RJ45 with LEDs

DIMENSIONS AND CUT OUT



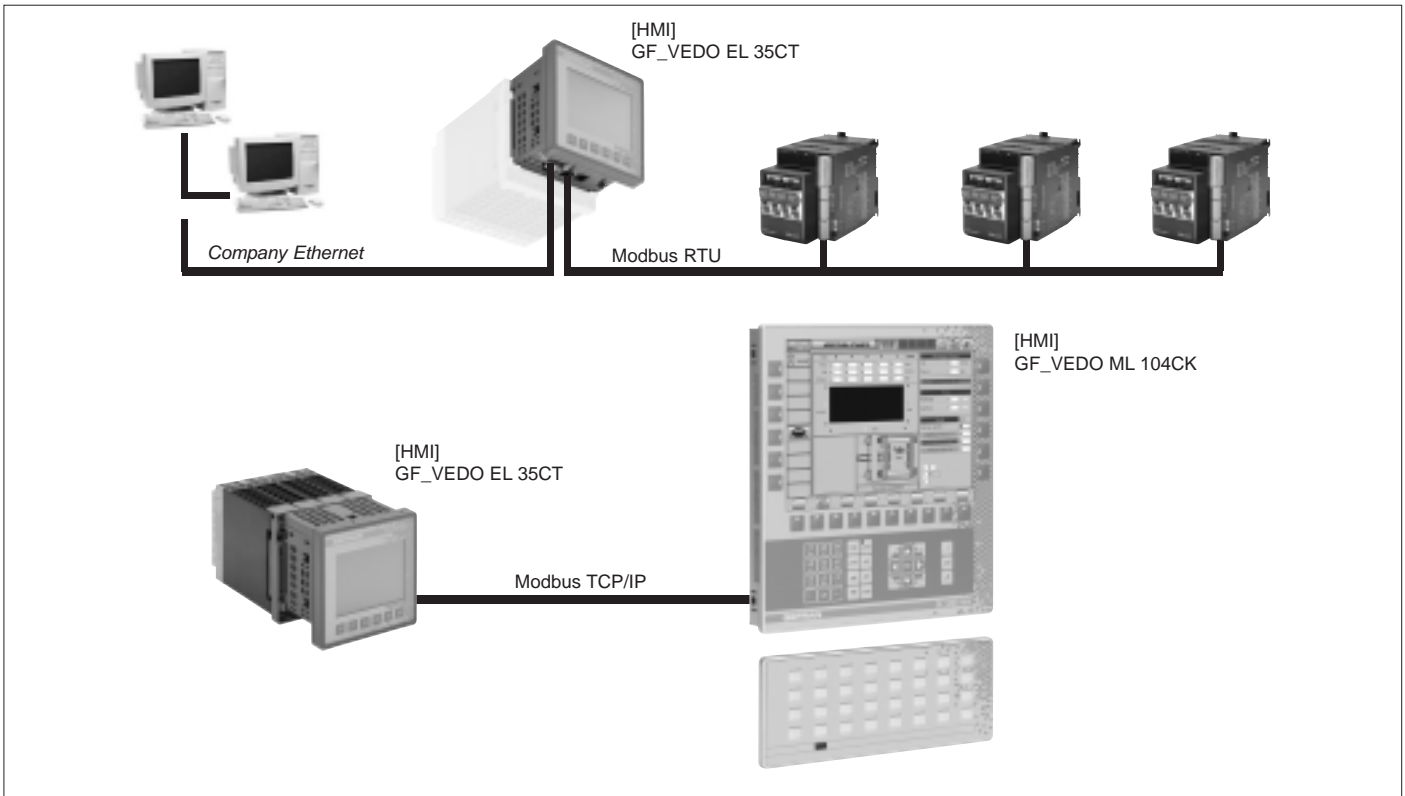


CONNECTIONS

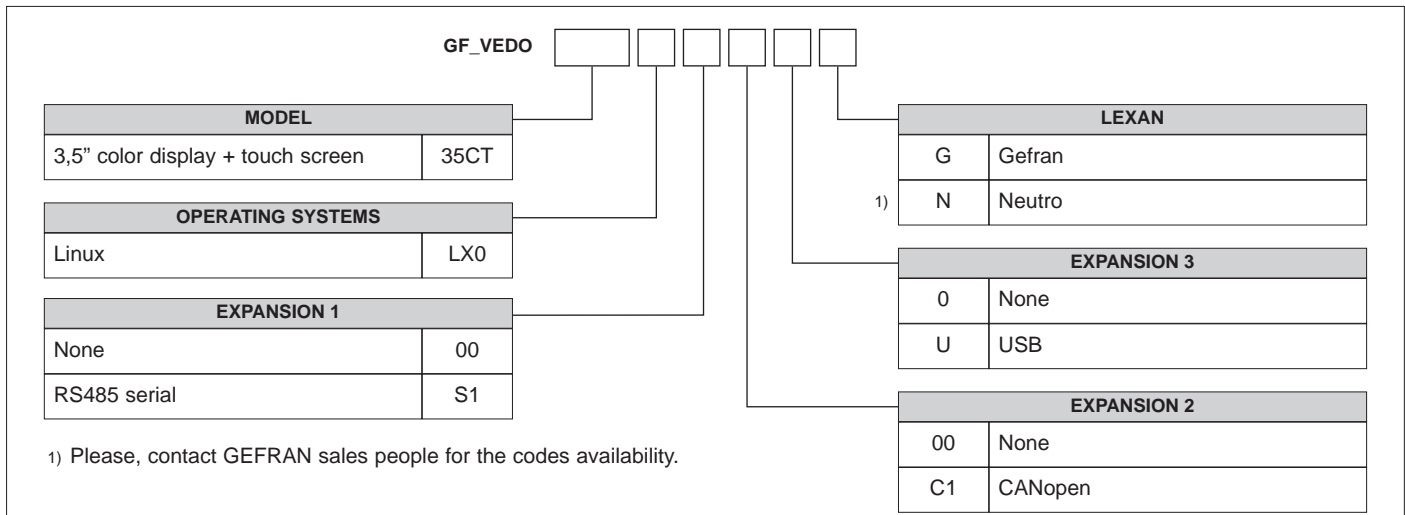


| Name | Denomination | Description |
|------|--------------|-------------------------------|
| 1 | CAN | CAN layer 2 |
| 2 | - | reserved for future use |
| 3 | 24VDC | 24Vdc, $\pm 25\%$ |
| 4 | USB | USB 2.0 HOST |
| 5 | ETH | Ethernet 10/100 base-T |
| 6 | RS485 | Optoisolated RS485 serial |
| 7 | BUS-G | GILOGIK II I/O connection bus |
| 8 | - | Rotary-switch |

CONNECTION EXAMPLES





ORDER CODE



GEFRAN spa reserves the right to make any kind of design or functional modification at any moment without prior notice

ACCESSORIES

F041993 L-BUS4 4-solt back-plane module supports a maximum of 4 GILOGIK II I/O modules

| | |
|---|--|
|  | Conformity C/UL/US File no. E198546 |
|  | In conformity to ECC 2004/108/CE (EMC) and 2006/95/CE (LVD) with reference to: EN 61131-2 (product) EN 61010-1 (safety). |

GEFRAN

GEFRAN spa
 via Sebina, 74
 25050 Provaglio d'Iseo (BS)
 Tel. +39 030 9888.1 - fax +39 030 9839063
 Internet: <http://www.gefran.com>

DTS_GF-VEDOEL35CT_03-2010_ENG